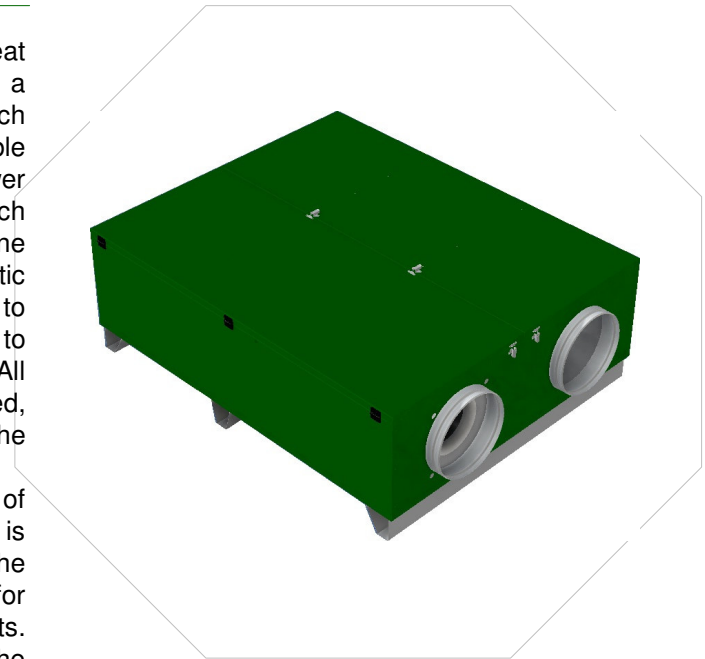


FAN UNIT**MODEL****CODE****ECO1400****VCVR140H****DESCRIPTION**

The range consists of a double flow ventilation unit with heat recovery with high efficiency. The machines are equipped with a heat exchanger in counterflow laminar flow polypropylene which guarantees high efficiency (over 90%) in the recovery of sensible heat, centrifugal fans with EC motor paddle back to low power consumption and low noise levels. The body is made of sandwich panels with double pane insulating inner high-density polyurethane or rock wool, which ensures optimal thermal and acoustic performance. Each version has a bypass for the summer-cooling to trigger manual or automatic and shall include antifreeze time to defrost the package if the exchange reached a critical condition. All units, as well as being customizable with all the accessories offered, are complete with electronic board for the management of the operating parameters, controllable in Plug & Play mode.

For this model ECO1400, the filters are of class G4 on the flow of extraction and class F7 on the flow of input. The exterior finish is glossy green color prepainted galvanized and RAL 6005 inside the unit. It's reduced thickness makes it particularly suitable for applications requiring a fixture in the attic in roof of minimum heights. This model has the attachments opposing outside / inside the longitudinal axis of the machine itself and the inspection from the bottom through the removable panel.

**APPLICATIONS**

Units with areas up to about **1030 square meters***
Installing a Ceiling - Ceilings**

* With sizing reported in 0.5 vol / h.

** Provide a space for inspection

PREROGATIVE

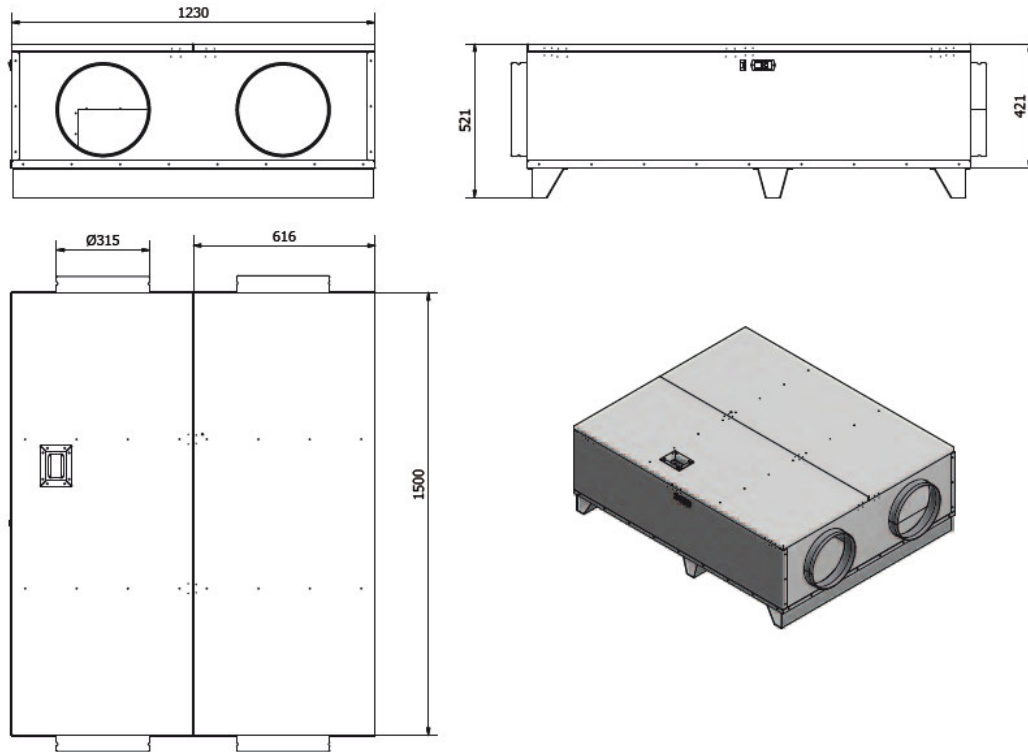
Small size
By Pass and remote-control
Robustness
Silence

EQUIPMENT

Operating and maintenance
Certificate of warranty
Brackets
Power Cable

OPTIONS

Different types of filters (grease, HEPA, etc.).
External probes of air quality
External pressure probes
Water coils
Post-heating devices

FAN UNIT**MODEL**
ECO1400**CODE**
VCVR140H**TECHNICAL SPECIFICATIONS****DATA SHEET****DIMENSIONS**

ECO1400	WIDTH	LENGTH	HEIGHT	VENTS INPUTS	SUPPORTS	CONFIGURATION
mm	1230	1500	420	315	100	H1-H2-P

CHARACTERISTICS

PERFORMANCE		OSC
Air Flow	mc/h	1400
Available Pressure	Pa	300
Thermal Efficiency	%	>90%
Voltage	V/fhase/Hz	230/M/50-60
Total Maximum Power	W	950W
Sound pressure	dB(A)	47
Class Filter extraction		G4
Class Filter input		F7
Electronics		Integrated
Weight	mm	25
Thermoacoustic insulation	kg	115

*measured in free field at 3 m (speed 100) with ducted unit

FILTER CODE

FILF7140H

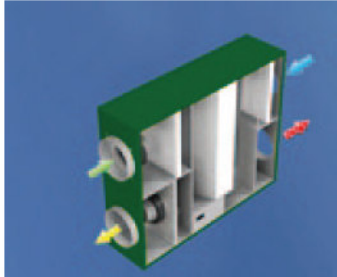
FAN UNIT

MODEL
ECO1400

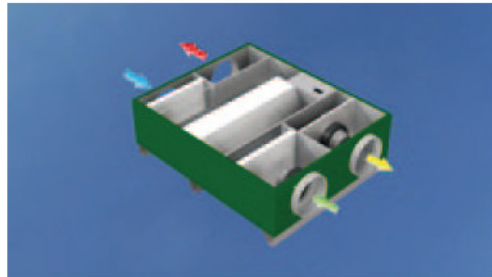
CODE
VCVR140H

CONFIGURATIONS

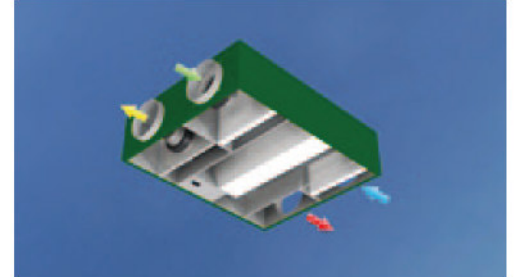
■ Exhaust
 ■ Fresh Air
 ■ Inlet Air
 ■ Extraction Air



H1



H2



P

TECHNICAL SPECIFICATIONS

